

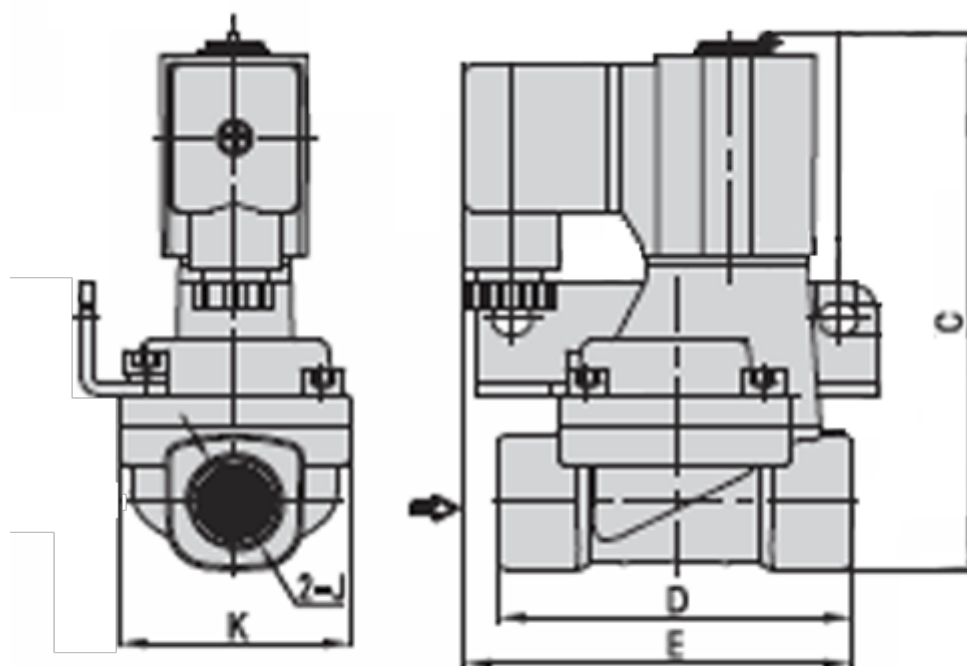
Data Sheet



Article number: 582S20020AG

Description: Fluid control valve - 2/2 NC, 2S20020AG - 230VAC
port 3/4" - orifice 20 internally piloted, stainless steel

Measures



C = 115.4

D = 82

E = 78.5

J = G 3/4"

K = 53